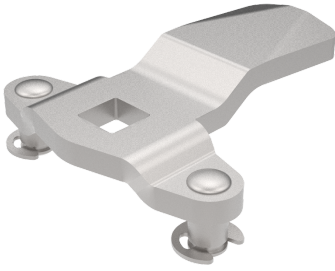


# VISION THREE-POINT CAMS SS 304



Three-point cams without projection for swing handles. Stroke: 20 mm. Supplied with E-clips. In the drawing and table below, A is the inside face to engagement point of cam.



**MATERIAL**

Cam: Stainless steel 304

**RELATED PRODUCTS**

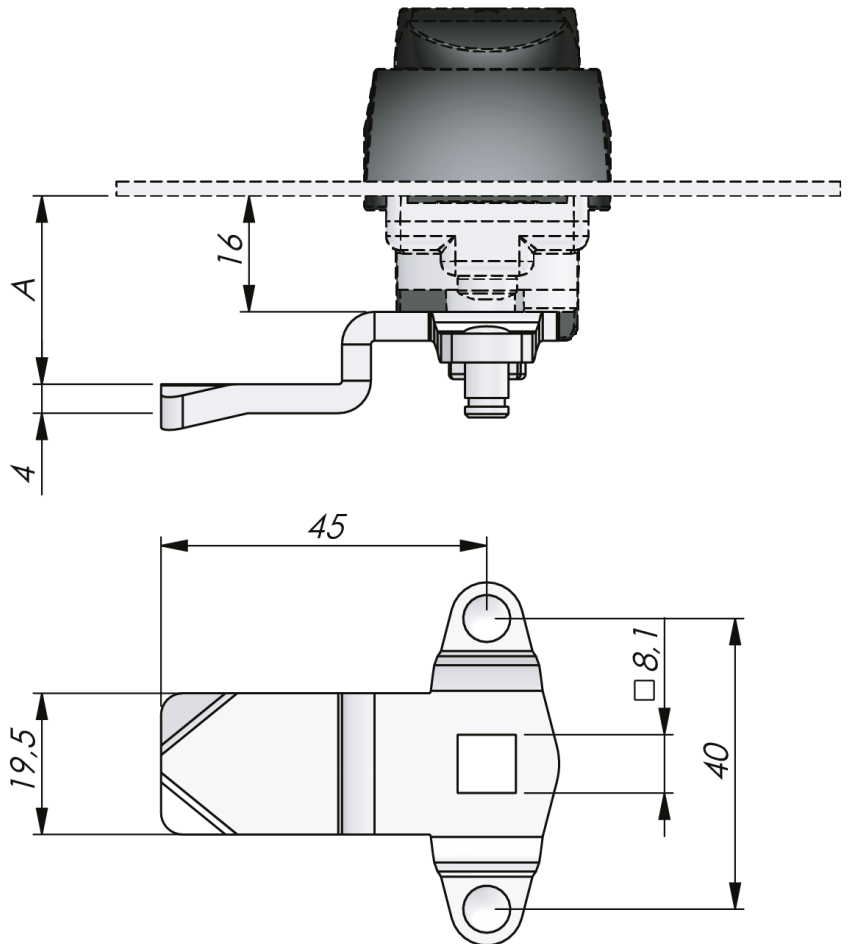
Other materials: 1-008.50

Similar products: 1-008.50

Use the Index Code at [industralas.com](http://industralas.com)

**TECHNICAL INFORMATION**

Other cam sizes and cam versions are available on request.



P/N	Description	Material	A
2330S01PU	3-point cam	Stainless steel 304	2
2330S02PU	3-point cam	Stainless steel 304	4
2330S03PU	3-point cam	Stainless steel 304	6
2330S04PU	3-point cam	Stainless steel 304	8
2330S05PU	3-point cam	Stainless steel 304	10
2330S07PU	3-point cam	Stainless steel 304	12
2330S08PU	3-point cam	Stainless steel 304	14
2330S09PU	3-point cam *	Stainless steel 304	16
2330S10PU	3-point cam	Stainless steel 304	18
2330S11PU	3-point cam	Stainless steel 304	20
2330S12PU	3-point cam	Stainless steel 304	22
2330S14PU	3-point cam	Stainless steel 304	24
2330S15PU	3-point cam	Stainless steel 304	26
2330S16PU	3-point cam	Stainless steel 304	28
2330S17PU	3-point cam	Stainless steel 304	30
2330S18PU	3-point cam	Stainless steel 304	32
2330S20PU	3-point cam	Stainless steel 304	34
2330S21PU	3-point cam	Stainless steel 304	36
2330S22PU	3-point cam	Stainless steel 304	38
2330S23PU	3-point cam	Stainless steel 304	40
2330S24PU	3-point cam	Stainless steel 304	42
2330S27PU	3-point cam	Stainless steel 304	48
2330S28PU	3-point cam	Stainless steel 304	46
2330S29PU	3-point cam	Stainless steel 304	44

\* P/N 2330S09PU is with straight cam.